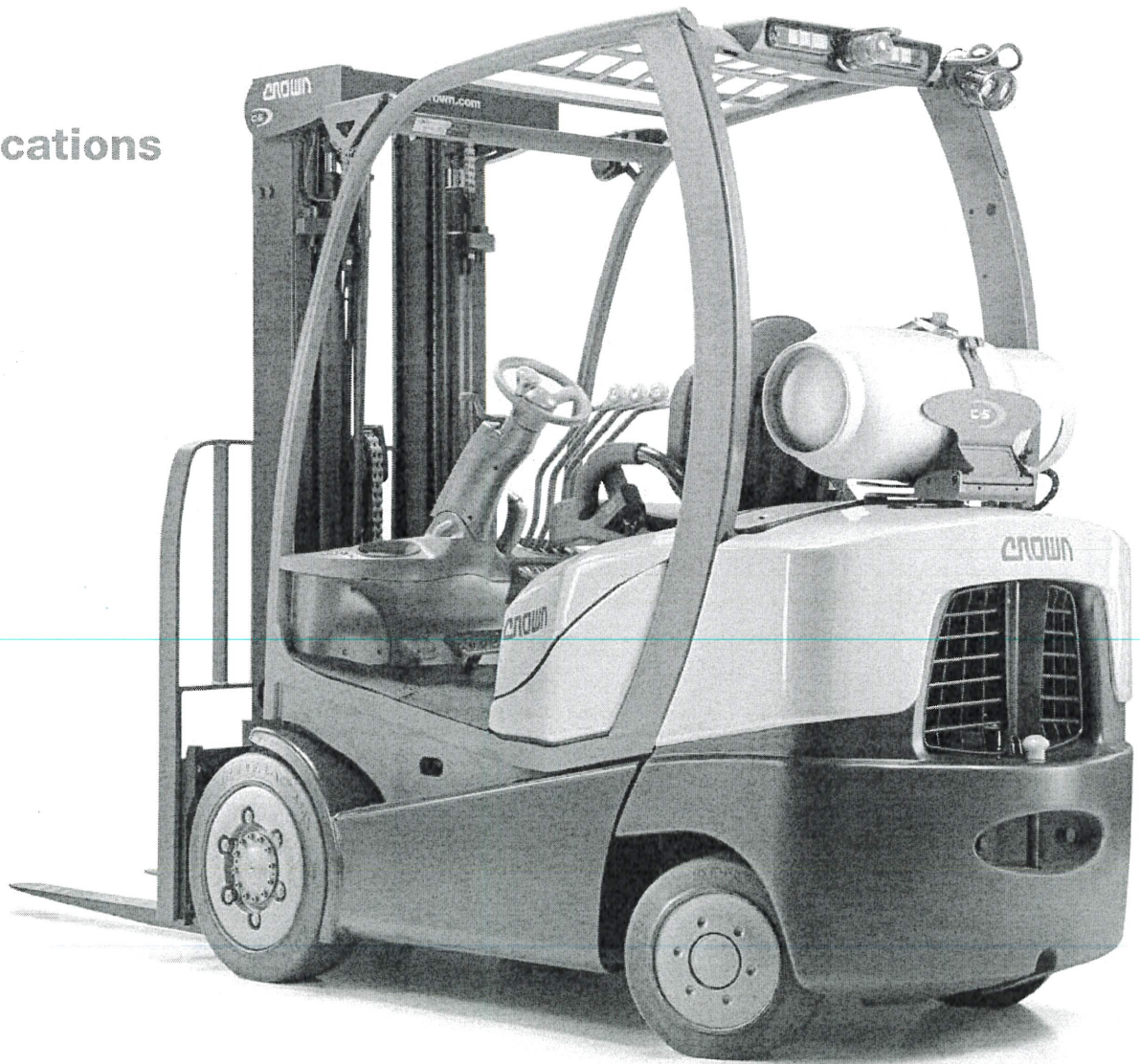


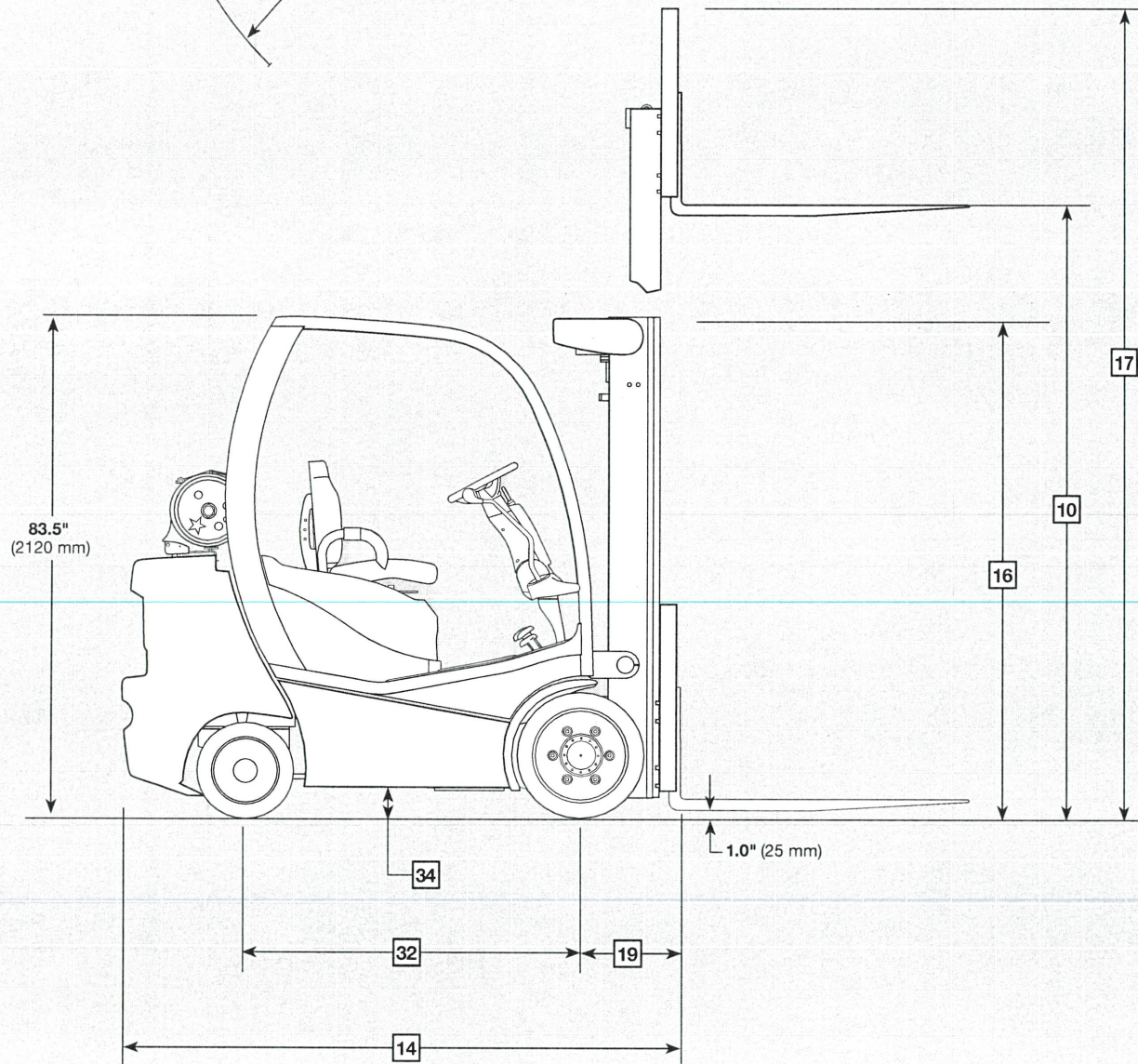
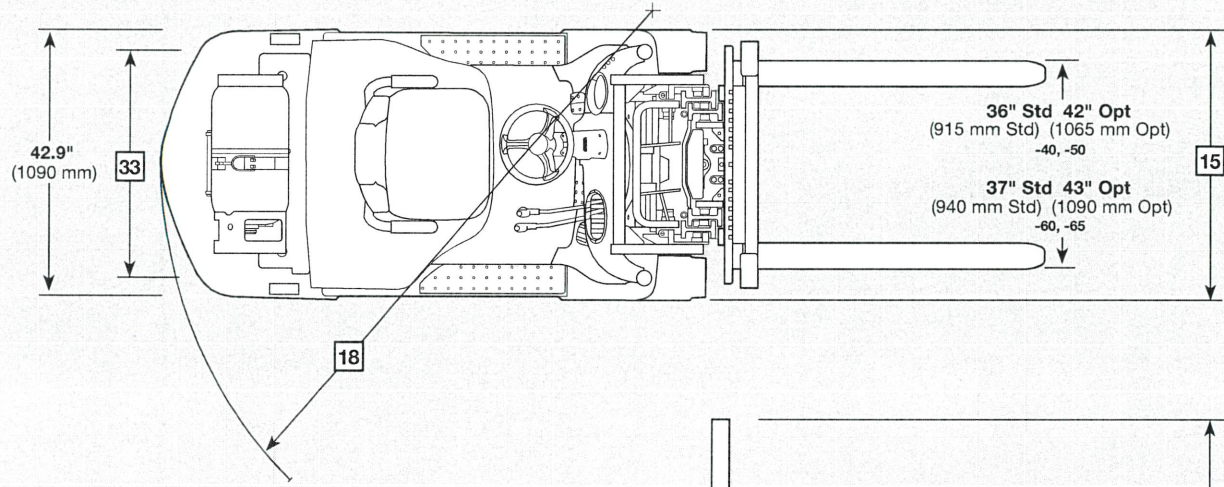
CROWN

C-5

4,000-6,500 lb Capacity
IC Cushion Tire

Specifications





C-5 Series Cushion

Specifications

		Imperial	Metric	Imperial	Metric	
General Information	1	Manufacturer	Crown Equipment Corporation			
	2	Model	C5 1000-40		C5 1000-50	
	3	Load Capacity	lb kg	4000	1815	5000 2270
	4	Load Center	Fork Face to Load CG in mm	24	610	24 610
	5	Power (Fuel) Type	Gas, LPG, Diesel	LPG		
	6	Operator Type		Sit-down Rider Counterbalance		
	7	Tire Type		Cushion		
	8	Wheels (x = driven)	Number Front / Rear	2x / 2		
	9	Steering Type		Hydrostatic		
	10	Mast	Lifting Height (MFH) Free Lift Height	See Mast Chart		
Dimensions	11	Fork Carriage	ITA Class II			
	12	Forks	Standard L x W x T in mm	42 x 4 x 1.8	1065 x 100 x 45	42 x 4 x 1.8 1065 x 100 x 45
		Optional Lengths in mm	32, 36, 39, 40, 43.31, 45, 48, 54, 60, 72	815, 915, 990, 1015, 1100, 1145, 1220, 1370, 1525, 1830	32, 36, 39, 40, 43.31, 45, 48, 54, 60, 72	815, 915, 990, 1015, 1100, 1145, 1220, 1370, 1525, 1830
	13	Tilt	F / B degree	5 / 5		
		Max. Height > 2° Tilt		See Mast Chart		
	14	Head Length	Length to Fork Face in mm	91.9	2335	93.1 2365
	15	Width Overall	Standard Tread in mm	42.9	1090	42.9 1090
			Wide Tread in mm	47	1195	47 1195
	16	Height with LBR	Mast Collapsed	See Mast Chart		
	17		Mast Extended	See Mast Chart		
18	Turning Radius	Outside in mm	79.7	2025	82.5 2100	
19	Load Distance	Center of Wheel to Fork Face in mm	16.8	425	16.8 425	
20	Aisle Width (Add Load + Clear)	Right Angle Stack in mm	96.5	2455	99.3 2525	
Weights Performance	21	Speed Travel - Forward	Empty / Loaded mph km/h	10.7 / 10.7	17.2 / 17.2	10.7 / 10.7 17.2 / 17.2
	22	Speed Travel - Reverse	Empty / Loaded mph km/h	10.7 / 10.7	17.2 / 17.2	10.7 / 10.7 17.2 / 17.2
	23	Speed Lift	Empty / Loaded fpm m/s	125 / 115	0.64 / 0.58	125 / 115 0.64 / 0.58
	24	Speed Lower	Empty / Loaded fpm m/s	91 / 93	0.46 / 0.47	91 / 93 0.46 / 0.47
	25	Drawbar Pull - Max.	lb kg	4360	1975	4360 1975
	26	Gradeability - Max.	Empty / Loaded %	34 / 22		28 / 18
Chassis	27	Gross Vehicle Weight	lb kg	8720	3955	9735 4415
	28	Axle Load Front	Empty / Loaded lb kg	4275 / 11,205	1940 / 5085	4110 / 12,780 1865 / 5800
	29	Axle Load Rear	Empty / Loaded lb kg	4445 / 1510	2015 / 685	5630 / 1955 2555 / 885
	30	Tires	Size Front in	21 x 7 x 15		
			Size Rear in	16 x 6 x 10.5		
	32	Wheelbase	in mm	55.9	1420	55.9 1420
	33	Tread / Track Width	Front Standard / Rear in mm	35.9 / 35.9	910 / 910	35.9 / 35.9 910 / 910
			Front Optional / Rear in mm	40 / 35.9	1015 / 910	40 / 35.9 1015 / 910
34	Ground Clearance	Center of Wheelbase in mm	4.9	125	4.9 125	
		Under Mast in mm	3.1	75	3.1 75	
35	Brakes	Service Parking	Foot / Hydraulic Hand / Hydraulic			
Powertrain	36	Battery	V	12		
	37	Engine	Type	Industrial		
			No. of Cylinders / Displacement	4 Cyl / 2.4L		
	39	Rated Output (SAE gross)	HP @ rpm kW @ rpm	59 @ 2800	44 @ 2800	59 @ 2800 44 @ 2800
			Maximum Torque (SAE)	ft-lb @ rpm N-m @ rpm	125 @ 1400	169 @ 1400
	41	Transmission	Type	Powershift		
	42		Number of Speeds Forward / Reverse	1 / 1		
43	Auxiliary Function	Relief Pressure psi bar	2600	179	2600 179	

C-5 Series Cushion

Specifications

				Imperial	Metric	Imperial	Metric	
General Information	1	Manufacturer		Crown Equipment Corporation				
	2	Model		C5 1000-60		C5 1000-65		
	3	Load Capacity	lb kg	6000	2720	6500	2950	
	4	Load Center	Fork Face to Load CG in mm	24	610	24	610	
	5	Power (Fuel) Type	Gas, LPG, Diesel	LPG				
	6	Operator Type		Sit-down Rider Counterbalance				
	7	Tire Type		Cushion				
	8	Wheels (x = driven)	Number Front / Rear	2x / 2				
	9	Steering Type		Hydrostatic				
	10	Mast	Lifting Height (MFH) Free Lift Height	See Mast Chart				
Dimensions	11	Fork Carriage		ITA Class III				
	12	Forks	Standard L x W x T in mm	42 x 5 x 1.8	1065 x 125 x 45	42 x 5 x 1.8	1065 x 125 x 45	
		Optional Lengths	in mm	32, 36, 39, 40, 43.31, 45, 48, 54, 60, 72	815, 915, 990, 1015 1100, 1145, 1220, 1370, 1525, 1830	32, 36, 39, 40, 43.31, 45, 48, 54, 60, 72	815, 915, 990, 1015 1100, 1145, 1220, 1370, 1525, 1830	
	13	Tilt	F / B degree	5 / 5				
			Max. Height > 2° Tilt	See Mast Chart				
	14	Head Length	in mm	97.3	2470	96.6	2455	
	15	Width Overall	Standard Tread	in mm	44.8	1140	44.8	1140
			Wide Tread	in mm	47	1195	47	1195
	16	Height with LBR	Mast Collapsed	See Mast Chart				
	17		Mast Extended	See Mast Chart				
18	Turning Radius	Outside in mm	85.7	2180	85	2160		
19	Load Distance	Center of Wheel to Fork Face in mm	17	430	17	430		
20	Aisle Width (Add Load + Clear)	Right Angle Stack in mm	102.7	2610	102	2595		
Performance	21	Speed Travel - Forward	Empty / Loaded mph km/h	11 / 10.8	17.7 / 17.4	11 / 10.8	17.7 / 17.4	
	22	Speed Travel - Reverse	Empty / Loaded mph km/h	11 / 10.8	17.7 / 17.4	11 / 10.8	17.7 / 17.4	
	23	Speed Lift	Empty / Loaded fpm m/s	125 / 115	0.64 / 0.58	125 / 115	0.64 / 0.58	
	24	Speed Lower	Empty / Loaded fpm m/s	91 / 93	0.46 / 0.47	91 / 93	0.46 / 0.47	
Weights	25	Drawbar Pull - Max.	lb kg	4360	1975	4360	1975	
	26	Gradeability - Max.	Empty / Loaded %	24 / 16		21 / 16		
	27	Gross Vehicle Weight	lb kg	10,670	4840	10,890	4940	
Chassis	28	Axle Load Front	Empty / Loaded lb kg	3945 / 14,395	1790 / 6530	3855 / 15,180	1750 / 6558	
	29	Axle Load Rear	Empty / Loaded lb kg	6725 / 2280	3050 / 1035	7035 / 2215	3190 / 1005	
	30	Tires	Size Front	in	21 x 8 x 15		21 x 8 x 15	
			Size Rear	in	18 x 6 x 12.125		18 x 6 x 12.125	
	32	Wheelbase	in mm	55.9	1420	55.9	1420	
	33	Tread / Track Width	Front Standard / Rear	in mm	35.9 / 35.9	910 / 910	35.9 / 35.9	910 / 910
			Front Optional / Rear	in mm	38.9 / 35.9	990 / 910	38.9 / 35.9	990 / 910
	34	Ground Clearance	Center of Wheelbase	in mm	4.9	125	4.9	125
Under Mast			in mm	3.1	75	3.1	75	
35	Brakes	Service		Foot / Hydraulic				
		Parking		Hand / Hydraulic				
Powertrain	36	Battery	V	12				
	37	Engine	Type	Industrial				
			No. of Cylinders / Displacement	4 Cyl / 2.4L				
			Rated Output (SAE gross)	HP @ rpm kW @ rpm	59 @ 2800	44 @ 2800	59 @ 2800	44 @ 2800
	40		Maximum Torque (SAE)	ft-lb @ rpm N-m @ rpm	125 @ 1400	170 @ 1400	125 @ 1400	170 @ 1400
	41	Transmission	Type	Powershift				
	42		Number of Speeds Forward / Reverse	1 / 1				
	43	Auxiliary Function	Relief Pressure psi bar	3100	214	3100	214	

C-5 Series Cushion

Specifications

Mast Charts

C5 1000-40/50

TL TRUCKERS MAST (2-STAGE)

10	Lift Height	in mm	68	1725	76	1930	80	2030	82	2080	112	2840
	Free Lift Height	in mm	5.8	145	5.8	145	5.8	145	5.8	145	5.8	145
13	Max. Height > 2° Tilt	in mm	na	na	na	na	na	na	na	na	na	na
16	Mast Collapsed Height*	in mm	54	1375	58	1475	60	1525	61	1550	76	1935
17	Mast Extended Ht. (36" LBR)	in mm	105	2670	113	2875	117	2975	119	3025	149	3785
	Mast Extended Ht. (48" LBR)	in mm	117	2975	125	3175	129	3280	131	3330	161	4090

*Any collapsed height > 60" (1524 mm) even without LBR could hit the ceiling of a 106" (2692 mm) internal clearance trailer.

C5 1000-40/50

TL (2-STAGE)

10	Lift Height	in mm	126	3200	138	3505	150	3810
	Free Lift Height	in mm	5.8	145	5.8	145	5.8	145
13	Max. Height > 2° Tilt	in mm	78	1980	78	1980	78	1980
16	Mast Collapsed Height	in mm	83	2110	89	2265	95	2415
17	Mast Extended Ht. (36" LBR)	in mm	163	4145	175	4445	187	4750
	Mast Extended Ht. (48" LBR)	in mm	175	4445	187	4750	199	5055

C5 1000-40/50

TF (2-STAGE WITH FREE LIFT)

10	Lift Height	in mm	114	2895	126	3200	138	3505	150	3810	162	4110	174	4415	184	4670	196	4975
	Free Lift Height (36" LBR)	in mm	40	1015	46	1165	52	1320	58	1470	64	1625	70	1775	76	1930	82	2080
	Free Lift Height (48" LBR)	in mm	28	710	34	860	40	1015	46	1165	52	1320	58	1470	64	1625	70	1775
13	Max. Height > 2° Tilt	in mm	60	1520	96	2435	96	2435	96	2435	84	2130	90	2285	96	2435	102	2590
16	Mast Collapsed Height	in mm	77	1960	83	2110	89	2265	95	2415	101	2570	107	2720	113	2875	119	3025
17	Mast Extended Ht. (36" LBR)	in mm	151	3840	163	4145	175	4445	187	4750	199	5055	211	5360	221	5615	233	5920
	Mast Extended Ht. (48" LBR)	in mm	163	4145	175	4445	187	4750	199	5055	211	5360	223	5665	233	5920	245	6225

C5 1000-40/50

TT (3-STAGE)

10	Lift Height	in mm	188	4775	206	5230	216	5485	231	5865	246	6245	258	6550	276	7010
	Free Lift Height (36" LBR)	in mm	46	1165	52	1320	58	1470	64	1625	70	1775	76	1930	82	2080
	Free Lift Height (48" LBR)	in mm	34	860	40	1015	46	1165	52	1320	58	1470	64	1625	70	1775
13	Max. Height > 2° Tilt	in mm	94	2385	94	2385	94	2385	90	2285	96	2435	102	2590	108	2740
16	Mast Collapsed Height	in mm	83	2110	89	2265	95	2415	101	2570	107	2720	113	2875	119	3025
17	Mast Extended Ht. (36" LBR)	in mm	225	5715	243	6175	253	6430	268	6810	283	7190	295	7495	313	7955
	Mast Extended Ht. (48" LBR)	in mm	237	6020	255	6480	265	6735	280	7115	295	7495	307	7800	325	8255

C5 1000-40/50

QUAD (4-STAGE)

10	Lift Height	in mm	240	6095	256	6550	276	7010	294	7465
	Free Lift Height (36" LBR)	in mm	46	1165	52	1320	58	1470	64	1625
	Free Lift Height (48" LBR)	in mm	34	860	40	1015	46	1165	52	1320
13	Max. Height > 2° Tilt	in mm	69	1750	75	1905	81	2055	87	2205
16	Mast Collapsed Height	in mm	83	2110	89	2265	95	2415	101	2570
17	Mast Extended Ht. (36" LBR)	in mm	277	7040	295	7495	313	7955	331	8410
	Mast Extended Ht. (48" LBR)	in mm	289	7345	307	7800	325	8255	343	8715

C5 1000-60

TL TRUCKERS MAST (2-STAGE)

10	Lift Height	in mm	60	1520	68	1725	72	1825	100	2540
	Free Lift Height	in mm	5.8	145	5.8	145	5.8	145	5.8	145
13	Max. Height > 2° Tilt	in mm	na	na	na	na	na	na	na	na
16	Mast Collapsed Height	in mm	54	1375	58	1475	60	1525	74	1880
17	Mast Extended Ht. (36" LBR)	in mm	97	2465	105	2670	109	2770	137	3480
	Mast Extended Ht. (48" LBR)	in mm	109	2770	117	2975	121	3075	149	3785

C5 1000-60

TL (2-STAGE)

10	Lift Height	in mm	118	2995	130	3300	142	3605
	Free Lift Height	in mm	5.8	145	5.8	145	5.8	145
13	Max. Height > 2° Tilt	in mm	78	1980	78	1980	78	1980
16	Mast Collapsed Height	in mm	83	2110	89	2265	95	2415
17	Mast Extended Ht. (36" LBR)	in mm	155	3940	167	4245	179	4550
	Mast Extended Ht. (48" LBR)	in mm	167	4245	179	4550	191	4855

C-5 Series Cushion

Specifications

Mast Charts (Continued)

C5 1000-60

TF (2-STAGE WITH FREE LIFT)

10	Lift Height	in mm	108	2740	120	3045	132	3350	143	3630	155	3935	167	4240	177	4495
	Free Lift Height (36" LBR)	in mm	40	1015	46	1165	52	1320	58	1470	64	1625	70	1775	76	1930
	Free Lift Height (48" LBR)	in mm	28	710	34	860	40	1015	46	1165	52	1320	58	1470	64	1625
13	Max. Height > 2° Tilt	in mm	57	1445	93	2360	93	2360	93	2360	81	2055	87	2205	93	2360
16	Mast Collapsed Height	in mm	77	1960	83	2110	89	2265	95	2415	101	2570	107	2720	113	2875
17	Mast Extended Ht. (36" LBR)	in mm	145	3685	157	3990	169	4295	180	4575	192	4880	204	5185	214	5440
	Mast Extended Ht. (48" LBR)	in mm	157	3990	169	4295	181	4600	192	4880	204	5185	216	5490	226	5745

C5 1000-60

TT (3-STAGE)

10	Lift Height	in mm	180	4570	198	5025	208	5280	223	5660	238	6045	250	6350
	Free Lift Height (36" LBR)	in mm	46	1165	52	1320	58	1470	64	1625	70	1775	76	1930
	Free Lift Height (48" LBR)	in mm	34	860	40	1015	46	1165	52	1320	58	1470	64	1625
13	Max. Height > 2° Tilt	in mm	91	2310	91	2310	91	2310	87	2205	93	2360	99	2510
16	Mast Collapsed Height	in mm	83	2110	89	2265	95	2415	101	2570	107	2720	113	2875
17	Mast Extended Ht. (36" LBR)	in mm	217	5515	235	5970	245	6225	260	6605	275	6985	287	7290
	Mast Extended Ht. (48" LBR)	in mm	229	5820	247	6275	257	6530	272	6910	287	7290	299	7595

C5 1000-60

QUAD (4-STAGE)

10	Lift Height	in mm	240	6095	258	6550	276	7010	294	7465
	Free Lift Height (36" LBR)	in mm	46	1165	52	1320	58	1470	64	1625
	Free Lift Height (48" LBR)	in mm	34	860	40	1015	46	1165	52	1320
13	Max. Height > 2° Tilt	in mm	69	1750	75	1905	81	2055	87	2205
16	Mast Collapsed Height	in mm	83	2110	89	2265	95	2415	101	2570
17	Mast Extended Ht. (36" LBR)	in mm	277	7040	295	7495	313	7955	331	8410
	Mast Extended Ht. (48" LBR)	in mm	289	7345	307	7800	325	8255	343	8715

C5 1000-65

TL TRUCKERS MAST (2-STAGE)

10	Lift Height	in mm	57	1445	65	1650	69	1750	97	2460
	Free Lift Height	in mm	5.8	145	5.8	145	5.8	145	5.8	145
13	Max. Height > 2° Tilt	in mm	na	na	na	na	na	na	na	na
16	Mast Collapsed Height*	in mm	54	1375	58	1475	60	1525	74	1880
17	Mast Extended Ht. (36" LBR)	in mm	94	2390	102	2595	106	2695	134	3405
	Mast Extended Ht. (48" LBR)	in mm	106	2695	114	2900	118	3000	146	3710

*Any collapsed height > 60" (1524 mm) even without LBR could hit the ceiling of a 106" (2692 mm) internal clearance trailer.

C5 1000-65

TL (2-STAGE)

10	Lift Height	in mm	115	2920	126	3200	139	3530
	Free Lift Height	in mm	5.8	145	5.8	145	5.8	145
13	Max. Height > 2° Tilt	in mm	78	1980	78	1980	78	1980
16	Mast Collapsed Height	in mm	83	2110	89	2265	95	2415
17	Mast Extended Ht. (36" LBR)	in mm	152	3865	163	4145	176	4475
	Mast Extended Ht. (48" LBR)	in mm	164	4170	175	4445	188	4780

C5 1000-65

TF (2-STAGE WITH FREE LIFT)

10	Lift Height	in mm	105	2665	117	2970	129	3275	141	3580	153	3885	165	4190	175	4445
	Free Lift Height (36" LBR)	in mm	40	1015	46	1165	52	1320	58	1470	64	1625	70	1775	76	1930
	Free Lift Height (48" LBR)	in mm	28	710	34	860	40	1015	46	1165	52	1320	58	1470	64	1625
13	Max. Height > 2° Tilt	in mm	57	1445	93	2360	93	2360	93	2360	81	2055	87	2205	93	2360
16	Mast Collapsed Height	in mm	77	1960	83	2110	89	2265	95	2415	101	2570	107	2720	113	2875
17	Mast Extended Ht. (36" LBR)	in mm	142	3610	154	3915	166	4220	178	4525	190	4830	202	5135	212	5385
	Mast Extended Ht. (48" LBR)	in mm	154	3915	166	4220	178	4525	190	4830	202	5135	214	5440	224	5690

C5 1000-65

TT (3-STAGE)

10	Lift Height	in mm	171	4340	189	4800	199	5050	214	5435	229	5815	241	6120
	Free Lift Height (36" LBR)	in mm	46	1165	52	1320	58	1470	64	1625	70	1775	76	1930
	Free Lift Height (48" LBR)	in mm	34	860	40	1015	46	1165	52	1320	58	1470	64	1625
13	Max. Height > 2° Tilt	in mm	91	2310	91	2310	91	2310	87	2205	93	2360	99	2510
16	Mast Collapsed Height	in mm	83	2110	89	2265	95	2415	101	2570	107	2720	113	2875
17	Mast Extended Ht. (36" LBR)	in mm	208	5285	226	5745	236	5995	251	6380	266	6760	278	7065
	Mast Extended Ht. (48" LBR)	in mm	220	5590	238	6050	248	6300	263	6685	278	7065	290	7370

**C-5 Series
Cushion**

Standard Features

1. Crown industrial 2.4L LPG engine compliant to current EPA standards
2. High visibility orange seat belt
3. Industrial dual core radiator
4. Crown's Access 1 2 3® Comprehensive Control System
5. Intrinsic Stability System®
 - Greater mass and low center of gravity
 - Tilt interlock
 - Tilt speed control
 - Stalled engine braking and steering
 - Hill hold
6. Top speed limiter
7. Fold down LP bottle bracket
8. Operator compartment design features
 - Low cowl for fork and floor visibility
 - Wide placed overhead guard uprights reduce visual interference
 - Isomounted overhead guard reduces vibration
 - Crown FlexSeat™ with hip restraint and anti-cinch seat belt (fabric or vinyl)
 - 13" steering wheel
 - Infinitely adjustable steering wheel column
 - Nylon covered control handles with tactile feedback
 - Natural position for forward/reverse selector
 - Rubber floor mat/rubber covered pedals
9. Operator entry/exit
 - Extra wide step
 - Huge entry/exit window
 - Overhead guard upright for easy hand hold
 - Contoured seat deck
 - Compact tilt steering wheel and column
 - Large uncluttered floorboard
10. 30" or 36" (760 or 915 mm) load backrest depending on capacity
11. 42" (1065 mm) forks
12. 38" (965 mm) wide fork carriage with upper thrust rollers
13. High visibility mast with in-line hose routing
14. Hour meter/event memory
15. No tool lift out floor boards
16. Three spool valve
17. O-ring face seal hydraulic fittings
18. Color-coded wiring

19. 12-volt alternator
20. Drum brakes are standard on 4000 and 5000 lb capacities; (1815 and 2270 kg)
Power brakes are standard on 6000 and 6500 lb capacities (2720 and 2950 kg)
21. Isomounted heavy duty steer axle with grease zerks
22. Single element air cleaner
23. Severe duty battery
24. Low LP fuel level indicator
25. Filter air restriction indicator
26. Tow pin
27. Horn
28. Radiator grill

Optional Equipment

1. Seatbelt interlock with orange seat belt
2. On-Demand Cooling®
3. Crown Power Brake (4000 and 5000 lb capacity) (1815 and 2270 kg)
4. TL - Truckers mast (2-stage)
5. TL mast (2-stage)
6. TF mast (2-stage mast with free lift)
7. TT mast (3-stage)
8. Quad mast (4-stage)
9. Polished and full taper forks (36", 39", 40", 43.31", 45", 48", 54", 60" and 72") (915, 990, 1015, 1100, 1145, 1220, 1370, 1525 and 1830 mm)
10. Quick disconnect hydraulic connections
11. Attachment pressure regulator and gauge
12. Tilt option
13. Load backrest heights (30, 36, 42, 44, 48 and 60") (760, 915, 1065, 1120, 1220 and 1525 mm)
14. Accessory hydraulics and attachments
15. Corrosion resistant chain
16. Lower thrust rollers
17. Work lights (Halogen or LED)
18. Strobe light (Halogen or LED)
19. Back-up and brake lights
20. Smart travel alarm (Reverse)
21. Keyless on/off switch
22. Fixed LP bottle bracket
23. Wide drive tire track width
24. Non-marking, smooth or lug rubber tires
25. Suspension seat (fabric or vinyl)

26. Grammer MSG 65 suspension seat (fabric or vinyl)
27. Grammer MSG 75 air ride suspension seat (fabric or vinyl)
28. Work Assist® Accessories
 - Pad clip and hook
 - Accessory clamp
 - Terminal mounting
 - Fire extinguisher
 - Operator fan
 - Mirrors
 - Cup holder
 - Shrink wrap holder
 - Storage net or pocket behind seat
 - Storage bin
 - Pencil holder
29. Two pedal control with combination inching/brake
30. Three pedal control with separate inching/brake
31. Radiator screen
32. Air intake pre-cleaner
33. Belly pan
34. Engine block heater
35. Positive/Negative accessory cable
36. 10" Steering wheel with spinning knob
37. 13" Steering wheel with spinning knob
38. Turn signals
39. InfoLink® Ready
40. Rear post handle with horn button
41. Counterweight grill
42. Mirrors (plastic or glass)
43. LPS, NFPA505 rating
44. Crown D4 Armrest

Drivability

The C-5 Series benefits from design and engineering excellence. Numerous features improve operator comfort and productivity.

First, a wide entry step greets the operator and leads to the V-contoured engine cover that allows the operator to easily glide into the truck's seat. The curved posts of the overhead guard open up the entry/exit window and provide a comfortable grip location for a variety of operator heights. Further facilitating entry/exit is a spring-loaded, tilt

steering column that easily moves up and away. The spacious floor board is uncluttered and includes a webbed floor mat that insulates the operator from vibration and heat. Additional operator comfort is achieved through reduced inching and brake pedal efforts along with a lower pedal height off the floor.

Crown's Intrinsic Stability System achieves improved operator confidence through a proactive approach to safety and stability. Integrated into the truck's components and control system, Crown's Intrinsic Stability System includes the following features:

- Greater mass and low center of gravity
- Tilt interlock
- Tilt speed control
- Stalled engine braking and steering
- Hill hold

Improved visibility can reduce product and pallet damage. The C-5 features excellent visibility everywhere you look: a low cowl for fork and carriage visibility, a high visibility mast, a compact steering column, a sculpted floorboard design, an overhead guard top plate and bar configuration and a low LP bottle height.

The control handles are crafted into the compartment and designed to provide tactile feedback for easy selection. Actuation forces are minimal and responsive. The parking brake with tone alert enhances operator entry/exit and naturally encourages its use. A large convex horn button is housed in the center of the steering wheel. Isolation systems for the engine and the operator cell virtually eliminate all vibrations to the operator. Hot air is directed away from the operator by a large counterweight opening with a wedge deflector.

C-5 Series Cushion

Technical Information

Powertrain

Derived from a diesel engine, the C-5 Series features an industrial in-line 4 cylinder 2.4L emissions compliant LPG engine. This heavy duty industrial engine includes a heat resistant cast iron block and head. The 8 quart (7.6 liters) oil capacity and standard engine oil cooler offer additional cooling for improved thermal capacity and extended component life. A gear-driven valve train and auxiliary pump eliminates belt or chain adjustments. Operator comfort is further increased through internal balancing of the engine.

The Carraro TA135 single speed power shift transmission offers an optimized gear construction for low noise and vibrations and increased efficiency. The robust design of the Carraro transmission includes forged gears and drive shaft, ductile iron axle, differential support housings and high temperature seals and o-rings, all contributing to increased life and durability.

There are two performance modes available, Economy and Productivity. In addition, top speeds can be limited to meet application requirements. These performance modes can be set via password through the Access 1 2 3 display module.

The C-5 transmission offers three key features: Hill Hold, Trans Hold and Inversion control. Hill Hold will prevent roll back of the truck on a ramp. Hill Hold activates when the truck senses truck movement in the opposite direction of the travel direction that is selected by the operator. The Trans Hold feature will hold the truck from moving until the operator depresses the accelerator. With Trans Hold off, the truck begins to move when the operator selects travel direction and releases his foot from the brake.

Inversion Control is a feature that helps extend transmission and tire life by not allowing high speed direction changes. All of these features are adjustable and can be turned on and off through the Access 1 2 3 display.

Cooling

A standard industrial dual core radiator offers separate cooling for the engine and transmission and is isolated from the truck, separating it from impact and improving radiator life. The industrial dual core radiator feature offers large spacing between cooling fins for reduced clogging. Air flow is maximized by a ten-blade fan that increases radiator performance and efficiency. The full fan shroud surrounds the radiator core surface. Its two-piece design aids in serviceability and is sealed to prevent air flow from bypassing the radiator core. Air flow is further maximized by the custom venturi shroud design that directs air over the entire surface of the radiator.

Crown's optional On-Demand Cooling System delivers precise cooling and radiator clearing for economical savings and uptime in harsh environment applications. Precise cooling is achieved through an independent radiator fan that automatically adjusts its speed to manage engine and transmission temperatures. The independent fan also allows for optimal radiator clearing by reversing its direction at engine start.

Crown Power Brake

The Crown Power Brake is a unique hydraulic powered, full circle brake with few parts and larger friction areas that contribute to longer brake life. This design reduces operator pedal effort, improves brake responsiveness and features direct and easy access to the friction pad, which reduces downtime for brake maintenance. The parking brake is an integral part of the service brake and is activated by a one-touch push button located on the cowl to the right of the steer wheel column. A tone alert reminder is standard.

Hydraulics

The C-5 Series' premium hydraulic function control valve provides a precise metering of lift, tilt and accessory functions, without sacrificing operator comfort. The hollow steel tube lever design with tactile controls improves productivity and comfort.

Crown's lift/tilt interlock system provides extended forward tilt at low fork heights and reduced forward tilt at elevated heights for improved truck stability. The interlock system also inhibits accidental hydraulic functions when the operator is out of the seat. The tilt compensator maintains proper tilt speed control under all load conditions.

The modular design of the control valves allows for easy addition of accessory functions. Maximum lowering speed is limited by a pressure compensating flow control valve and velocity fuses. Integrated hydraulic cylinder cushions soften mast staging. All lift cylinder rams are plated and when the forks are lowered, retract into the hydraulic oil for additional corrosion protection.

The steel oil reservoir is integral to the frame, aiding in the dissipation of hydraulic oil heat. This clean, leak-free design includes a suction strainer with separate, easily accessible fill port and dipstick with a dual filtered breather. Hydraulic oil is returned through an environmentally friendly cartridge filter, which is easily serviced.

A 2-stage filtration system on the breather/dipstick offers superior protection from contamination to the hydraulic oil and from oil misting, which could create a dirty residue on the inside of the engine compartment.

The steering and power brake systems are also hydraulic powered, assisting in the reduction of operator fatigue and improved productivity.

Crown Manufactured Mast Assembly

The heavy-duty mast of the C-5 Series is engineered to provide smooth, reliable operation without compromising strength or quality. The large, rugged mast trunnions are mounted on the drive axle. Securing the mast are extra heavy tilt cylinders with self-aligning bushings. Crown's high visibility mast features a nested-rail design with lift cylinders positioned behind the rails. In-line hose routing also reduces visual interference. Large hydraulic hose pulleys and hose placement are engineered to reduce hose wear and increase hose life. Large lift chains are used for long reliable service life. Class II and III fork carriages are available. Masts are available in TL, TF, TT, and Quad.

Steering

A fully hydrostatic steering system with equal area and double-acting cylinder provides an equally responsive steering rate both ways (4.8 turns lock to lock). The rugged axle frame, forged spindle and connecting links eliminate the need for adjustment. A two-piece spindle and kingpin with tapered roller bearings improves life and serviceability. Spherical bearings with straight pins in the connecting links eliminate any play in the linkage. All bearing locations are sealed to exclude contaminants and are equipped with lubrication fittings for ease of service. The steer axle articulates in a rubber isolation bushing to improve truck handling and ride.

Electrical System

The C-5 Series comes with a standard severe duty battery that provides 510 cold cranking amps.

Exclusive on-board information and diagnostics system includes fully integrated Access 1 2 3 Comprehensive Control System with CAN Bus communication.

Features include:

- Engine diagnostics
- Truck level diagnostics
- Component analyzer
- Password protection
- Speed control features
- Performance modes
- Operator PIN codes

Crown display is fully integrated giving the operator and service technician real time information and messaging for event codes, fuel level, truck hours or real time speed. The alpha-numeric display serves as the communication nerve center with the following indicator lights:

- Alternator/Battery
- Malfunction
- Seat belt
- Park brake status
- Low oil pressure
- High transmission temperature
- Engine coolant temperature
- Multi-stage fuel level lights

All wire harnesses are wrapped with corrugated sleeving and are fully sealed with ultrasonically welded connections for improved reliability and durability. All electrical connectors are sealed to IP67.

Warning Device Options

Audible or Visual Alerts

Safety considerations and dangers associated with audible travel alarms and lights include:

- Multiple alarms and/or lights can cause confusion.
- Workers ignore the alarms and/or lights after day-in and day-out exposure.
- Operator may transfer the responsibility for "looking out" to the pedestrians.
- Annoys operators and pedestrians.

Other Options Available

Contact factory for additional options.

Dimensions and performance data given may vary due to manufacturing tolerances. Performance is based on an average size vehicle and is affected by weight, condition of vehicle, how it is equipped and the conditions of the operating area. Products and specifications are subject to change without notice.



You can count on Crown to build lift trucks designed for safe operation, but that's only part of the safety equation. Crown encourages safe operating practices through ongoing operator training, safety-focused supervision, maintenance and a safe working environment. **Go to crown.com and view our safety section to learn more.**

Crown Equipment Corporation

New Bremen, Ohio 45869 USA

Tel 419-629-2311

Fax 419-629-3796

crown.com

Because Crown is continually improving its products, specifications are subject to change without notice.

Crown, the Crown logo, the color beige, the Momentum symbol, Access 1 2 3, InfoLink, Work Assist, FlexSeat, Intrinsic Stability System, On-Demand Cooling and eSmart are trademarks of Crown Equipment Corporation. Other trademarks are owned by their manufacturers.

Copyright 2009-2019 Crown Equipment Corporation
SF18358 Rev. 10-19
Printed in U.S.A.